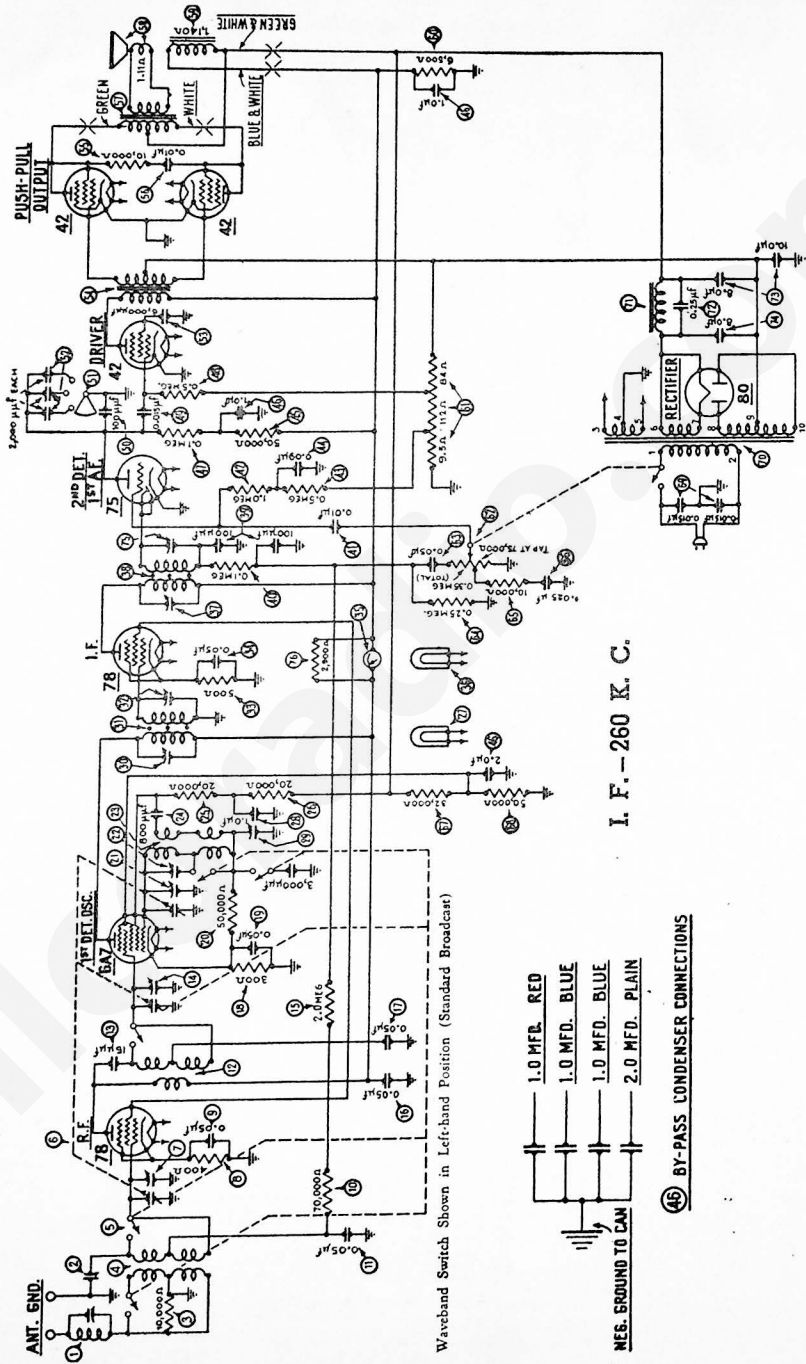
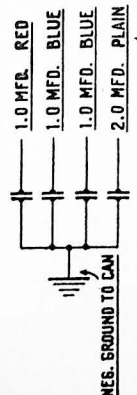


MODEL 118

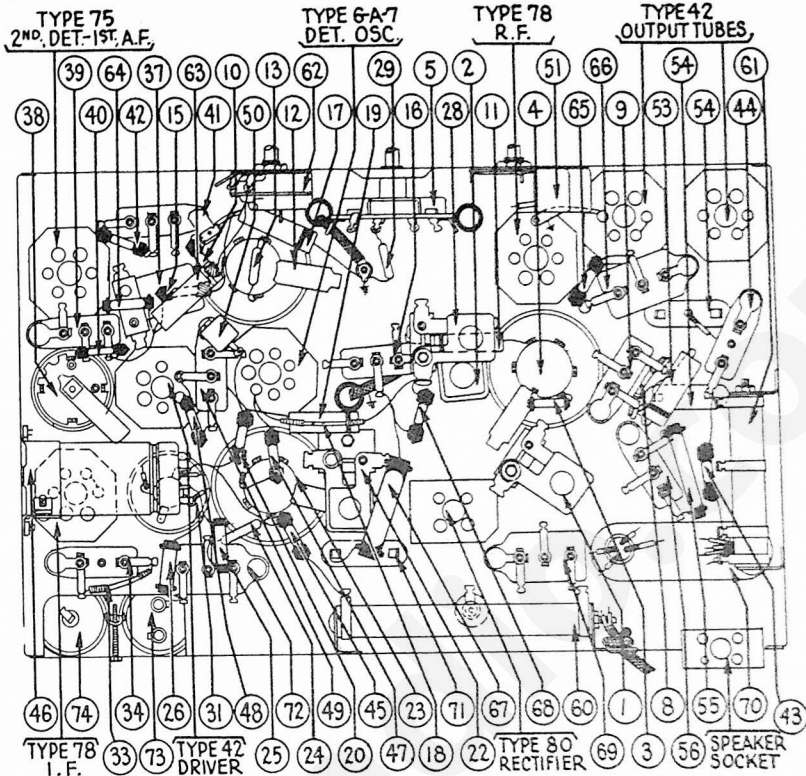


Waveband Switch Shown in Left-hand Position (Standard Broadcast)



(46) BY-PASS CONDENSER CONNECTIONS

I. F. — 260 K. C.



Replacement Parts for Model 118

No. on Diagram	Description	Part No.	No. on Diagram	Description	Part No.
①	Wave Trap.....	38-5740	④	Resistor (50,000 ohms) (Green-Brown-Orange).....	4515
②	Compensating Condenser (Ant.-H. F.).....	04000D	⑤	Condenser (Electrolytic 1, 1, 1, and 2 Mfd.).....	20-2075
③	Resistor (10,000 ohms) (Brown-Black-Orange).....	33-1000	⑥	Resistor (.1 Meg.) (White-White-Orange).....	4411
④	Antenna Transformer.....	33-1378	⑦	Resistor (.5 Meg.) (Yellow-White-Yellow).....	4517
⑤	Wave Band Switch.....	42-1046	⑧	Condenser (.015 Mfd. Bakelite Block).....	3793F
⑥	Tuning Condenser Assembly.....	31-1173	⑨	Condenser (.0001 Mfd. Mica).....	4519
⑦	Compensating Condenser (Ant.-Broadcast).....	Part of ①	⑩	Tone Control.....	30-4186
⑧	Resistor (400 ohms Flexible Wire-Wound).....	33-3018	⑪	Condensers (In Tone Control).....	Part of ⑩
⑨	Condenser (.05 Mfd.) (Bakelite Block).....	3615BK	⑫	Condenser (.006 Mfd. Tubular).....	30-4024
⑩	Resistor (70,000 ohms) (Violet-Black-Orange).....	5385	⑬	Input Transformer.....	32-7114
⑪	Condenser (.05 Mfd.) (Tubular).....	30-4020	⑭	Resistor (10,000 ohms) (Brown-Black-Orange).....	3524
⑫	Detector Transformer.....	32-1379	⑮	Condenser (.01 Mfd. Bakelite Block).....	3903P
⑬	Condenser (.000015 Mfd.) (Mica).....	30-1030	⑯	Output Transformer.....	32-7078
⑭	Compensating Condenser (Det.).....	Part of ④	⑰	Voice Coil and Cone Assembly.....	H-13-02625
⑮	Resistor (2 Meg.) (Red-Black-Green).....	5872			K-17-56-30220
⑯	Condenser (.05 Mfd.) (Bakelite Block).....	8155D	⑳	Field Coil and Pot Assembly.....	36-3104
⑰	Condenser (.05 Mfd.) (Tubular).....	30-4020	㉑	Resistor (Wire-Wound) (5000 ohms).....	33-3083
⑱	Resistor (300 ohms Flexible Wire-Wound).....	33-3010	㉒	Resistor (Wire-Wound) (9.5, 112, 84 ohms).....	33-3034
⑲	Condenser (.05 Mfd.) (Tubular).....	30-4020	㉓	Volume Control and On-Off Switch.....	33-5024
㉑	Resistor (50,000 ohms) (Green-Brown-Orange).....	4515	㉔	Condenser (.05 Mfd. Tubular).....	30-4020
㉒	Compensating Condenser (Osc. H. F. Broadcast).....	Part of ①	㉕	Resistor (240,000 ohms) (Red-Yellow-Yellow).....	4410
㉓	Compensating Condenser (Osc. H. F. Shortwave).....	31-8016	㉖	Resistor (10,000 ohms) (Brown-Black-Orange).....	4412
㉔	Oscillator Transformer.....	32-1580	㉗	Condenser (.025 Mfd. Bakelite Block).....	7553D
㉕	Condenser (.0008 Mfd. Mica).....	5875	㉘	Resistor (32,000 ohms) (Orange-Red-Orange).....	33-1029
㉖	Resistor (20,000 ohms) (Red-Black-Orange).....	6650	㉙	Resistor (50,000 ohms) (Green-Brown-Orange).....	4515
㉗	Resistor (20,000 ohms) (Red-Black-Orange).....	6650	㉚	Condenser (.015 Mfd. Twin) (Bakelite Block).....	3793F
㉘	Pilot Lamp (Station Selector).....	6008	㉛	Power Transformer.....	32-7111
㉙	Compensating Condenser (Osc. L. F.).....	04000R	㉜	Filter Choke.....	32-7115
㉚	Condenser (.003 Mfd. Mica).....	7301	㉝	Condenser (.25 Mfd.).....	0287-R
㉛	Compensating Condenser (1st I. F. Pri.).....	Part of ㉒	㉞	Condenser (Elec. 8 Mfd. 10 Mfd.).....	30-3045
㉜	1st I. F. Transformer.....	32-1381	㉟	Condenser (Elec. 8 Mfd.).....	30-2025
㉝	Compensating Condenser (1st I. F. Sec.).....	Part of ㉒	㊱	Compensating Condenser (2d I. F. Secondary).....	Part of ㉒
㉞	Resistor (500 ohms Flexible Wire-Wound).....	6977	㊲	Resistor (2900 ohms) (Red-White-Red).....	4509
㉟	Condenser (.05 Mfd.) (Bakelite Block).....	3615AU	㊳	Chassis Mtg. Screw.....	W-1345A
㊱	Shadowmeter.....	6497	㊴	Chassis Mtg. Washer.....	29-2089
㊲	Shadowmeter Pilot Lamp.....	Part of ㉒	㊵	Chassis Mtg. Foot (Rubber).....	27-4116
㊳	Compensating Condenser (2d I. F. Pri.).....	04000A	㊶	Chassis Mtg. Foot Plate.....	27-7497
㊴	2d I. F. Transformer (Early Prod. 32-1258).....	32-1424	㊷	Knob Assembly (Large).....	27-4061
㊵	Condenser (.0001 Mfd. Twin) (Bakelite Block).....	8033-K	㊸	Knob Assembly (Small).....	27-4062
㊶	Resistor (.1 Meg.) (White-White-Orange).....	4411	㊹	Dial Assembly.....	31-1265
㊷	Condenser (.01 Mfd. Bakelite Block).....	3903Z	㊺	Dial Scale.....	27-5046
㊸	Resistor (1 Meg.) (Brown-Black-Green).....	4409	㊻	Tube Shield.....	28-1107
㊹	Resistor (.5 Meg.) (Yellow-White-Yellow).....	4517	㊼	4 Prong Socket.....	7544
㊺	Condenser (.09 Mfd. Bakelite Block).....	4989D	㊽	6 Prong Socket.....	7547
			㊾	7 Prong Socket.....	27-6005
			㊿	Speaker Socket.....	4957
				A. C. Cord and Plug.....	L-943A

*See Note below Fig. 4.

Note: Part ㉒, as shown above only in early production. In later production this part is incorporated as part of ㉒, not visible from below.